

## GENERATOR DIESEL ENGINE

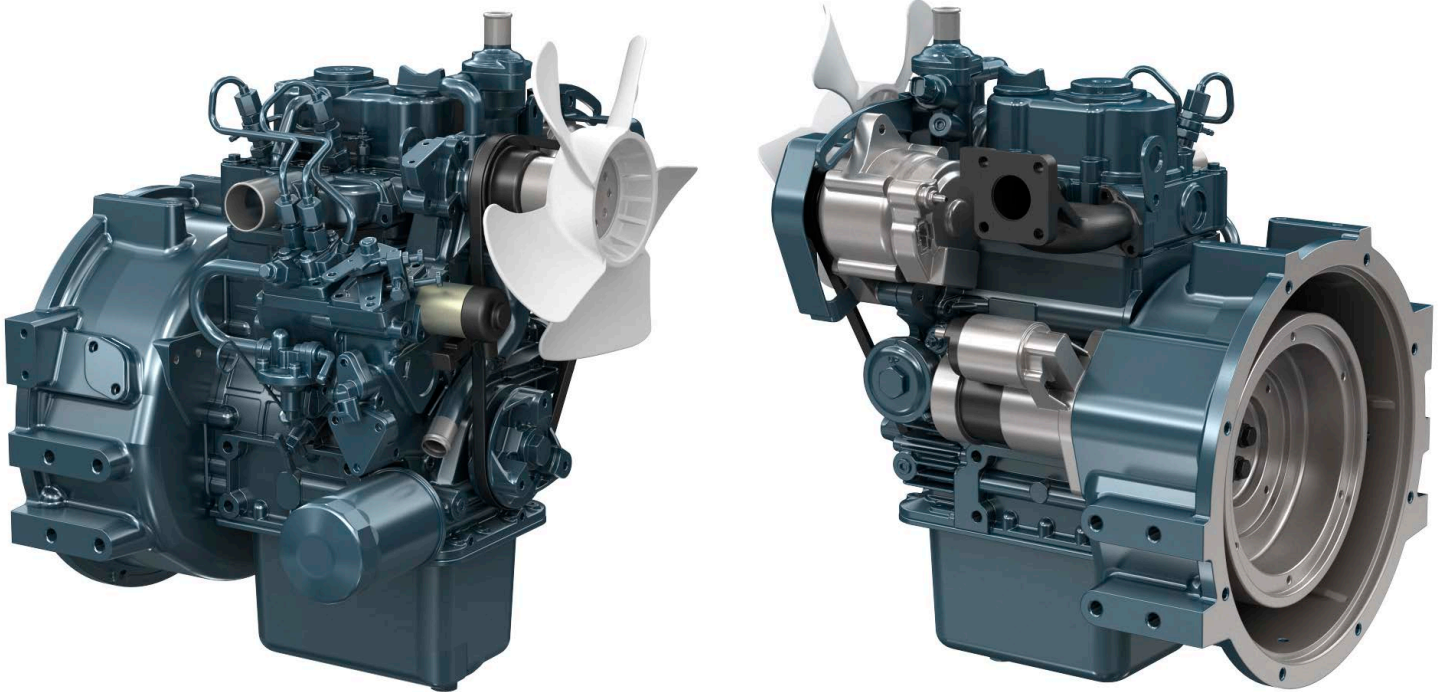
Kubota Super Mini Series (2-Cylinder)

# Z482-E4BG (3600 RPM)

EPACARB  
TIER  
4

Standby Power<sup>1</sup>

## 8.9 kW @ 3600 RPM



Photograph may show non-standard equipment.

### Features and Benefits

#### **Emissions**

Kubota's emission department was created to focus exclusively on environmental concerns. We take all possible measures to ensure Kubota engines meet or exceed all required emission regulations for the necessary certifications. Kubota offers multiple solutions with the same engine footprint that meets various emission levels.

#### **Fuel Flexibility**

Kubota's engine lineup has a variety of fuel options that include diesel, gasoline, liquid propane and natural gas. By offering these options, customers are guaranteed installation compatibility and fuel flexibility all within the same engine footprint.

#### **Quality**

Kubota's generator drive engine solutions are powerful, durable and reliable offering flexible options. Quality components and innovative engineering ensure all Kubota engines provide industrial strength and ultimate performance regardless of fuel choice.

#### **Global Distribution**

Because Kubota is continuously expanding our distribution network, we are able to support our customers worldwide. Kubota delivers exceptional service, sales support, engineering support, parts supply and product training everywhere Kubota engines are used.

For Earth, For Life  
**Kubota**

# Z482-E4BG (3600RPM)

## Engine Specifications

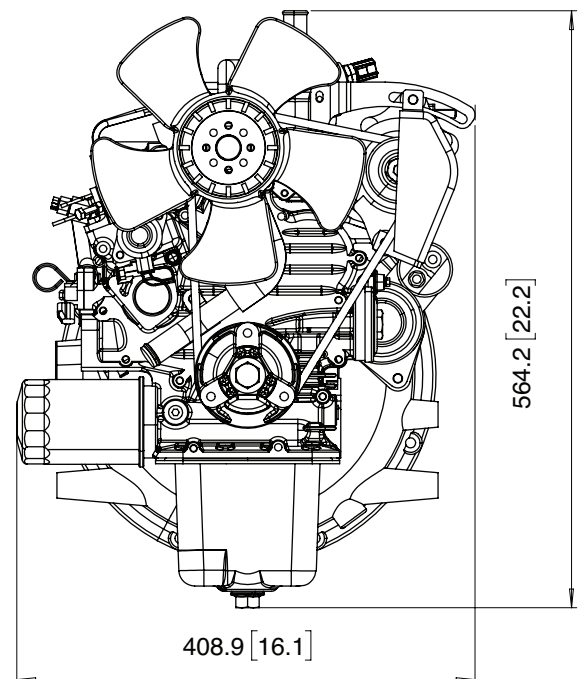
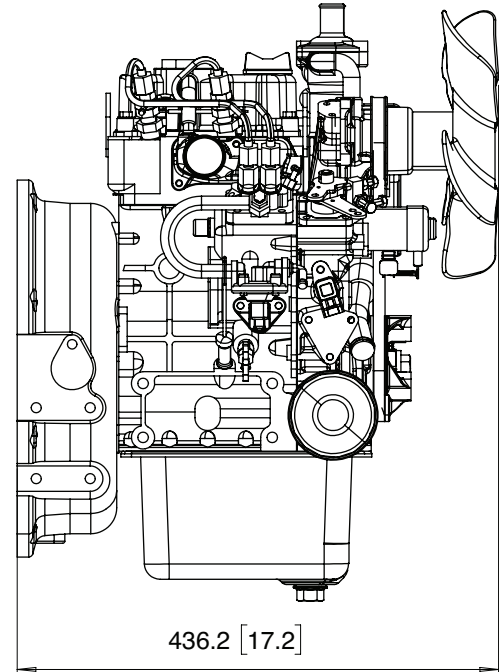
<b>Engine model</b>		Z482-E4BG (3600RPM)
<b>Emission regulation</b>		EPA/CARB Tier 4
<b>Type</b>		Vertical, water cooled 4-cycle diesel engine
<b>Cylinders</b>		2
<b>Bore and stroke</b>	mm (in)	67 × 68 (2.64 × 2.68)
<b>Displacement</b>	L (cu. in)	0.479 (29.2)
<b>Aspiration</b>		Naturally aspirated
<b>Aftertreatment</b>		NA
<b>Standby output/speed<sup>1</sup></b>	kW (HP) / rpm	8.9 (11.9) / 3600
<b>Continuous output/speed<sup>1</sup></b>	kW (HP) / rpm	8.1 (10.9) / 3600
<b>Fuel consumption</b>	g / kWh (lb / HPh)	285.0 (0.469)
<b>Combustion system</b>		IDI
<b>Fuel system</b>		In-line pump
<b>Length x width x height (Without Aftertreatment)</b>	mm (in)	436.2 x 408.9 x 564.2 (17.2 x 16.1 x 22.2)
<b>Dry weight<sup>2</sup></b>	kg (lb)	78 (172)

Specifications are subject to change without notice.  
Dimensions and dry weight are according to Kubota's standard specification.  
Dimensions and weight depend on completed specifications.

1: SAE J1349 gross intermittent

2: Excludes cooling fan

## Dimensions



## KUBOTA Engine America Corporation

505 Schelter Road, Lincolnshire, IL 60069

P: 847.955.2500 | [kubotaengine.com](http://kubotaengine.com)

KEAMKT-0149 07.2023

For Earth, For Life

**Kubota**